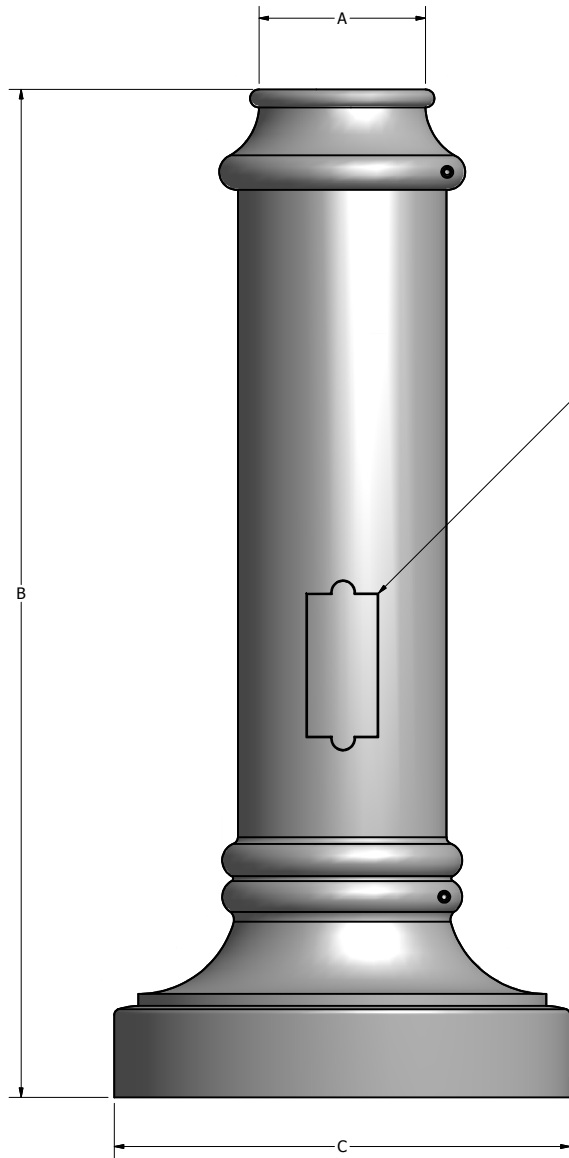
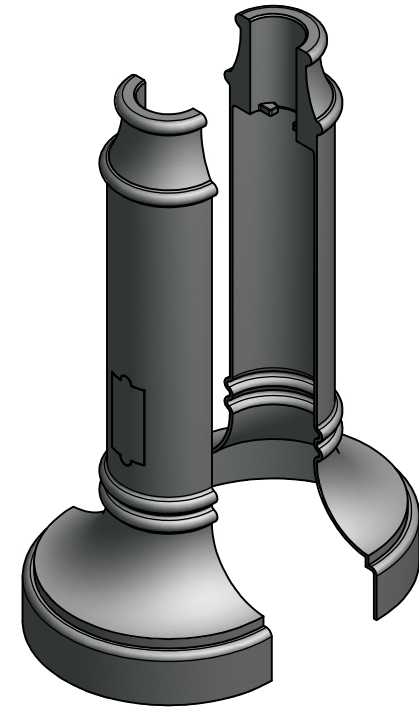


NOTE: FINISH SHALL BE A STANDARD COLOR POLYESTER POWDER COAT FINISH.

MONTREAL SERIES			
POLE SHAFT O.D.	BASE COVER A (TOP I.D.)	B (HEIGHT)	C (BOTTOM O.D.)
2.75"	3.00"	11.13"	12.88"
4.75"	5.00"	42.00"	19.00"



FLUSH MOUNT HAND HOLE
(NOT AVAILBLE ON THE 3" COVER)



CLAMSHELL BASE COVER

UPBC-MONT-## ##-###RD
 BOTTOM O.D. POLE SHAFT O.D.
 HEIGHT

<p>HAND HOLE</p>	DRAWN: L. GRUNIS	12/12/2016
	CHECKED	
	REVISION:	DATE:
	APPROVED:	
	QUOTE:	
	S.O.#	
REF:	SCALE: NONE	



23171 GROESBECK HWY
WARREN, MI 48089
(586) 774-5750
www.unipostsystems.com

SOME GEOGRAPHICAL AREAS HAVE SPECIAL WIND CONDITIONS THAT CAN CREATE WIND INDUCED VIBRATIONS CAUSING A FATIGUE PROBLEM. NO METHOD HAS YET BEEN FOUND FOR PREDICTING DESTRUCTIVE LIGHTING POLE VIBRATION. THESE CONDITIONS ARE UNIQUE AND CANNOT BE GUARANTEED AGAINST, AND ARE THE RESPONSIBILITY OF A LOCAL SITE ENGINEER.		
TITLE: MONTREAL BASE COVER FOR ROUND POLES		
CATALOG:		
DWG NO: UPBC-MONT-###-###RD	SIZE: C	SHEET 1 OF 1