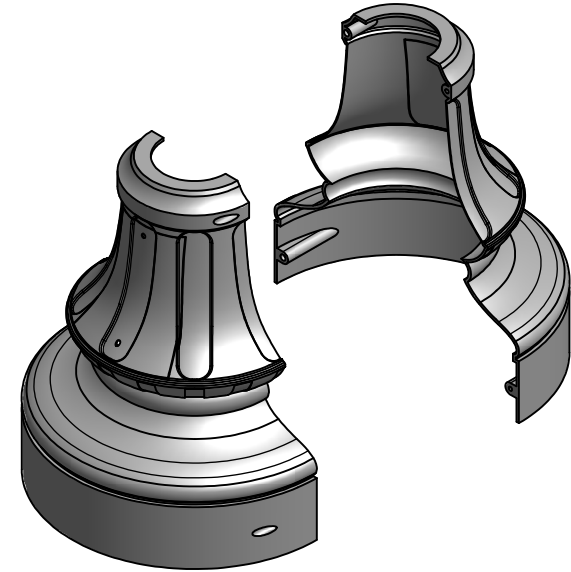
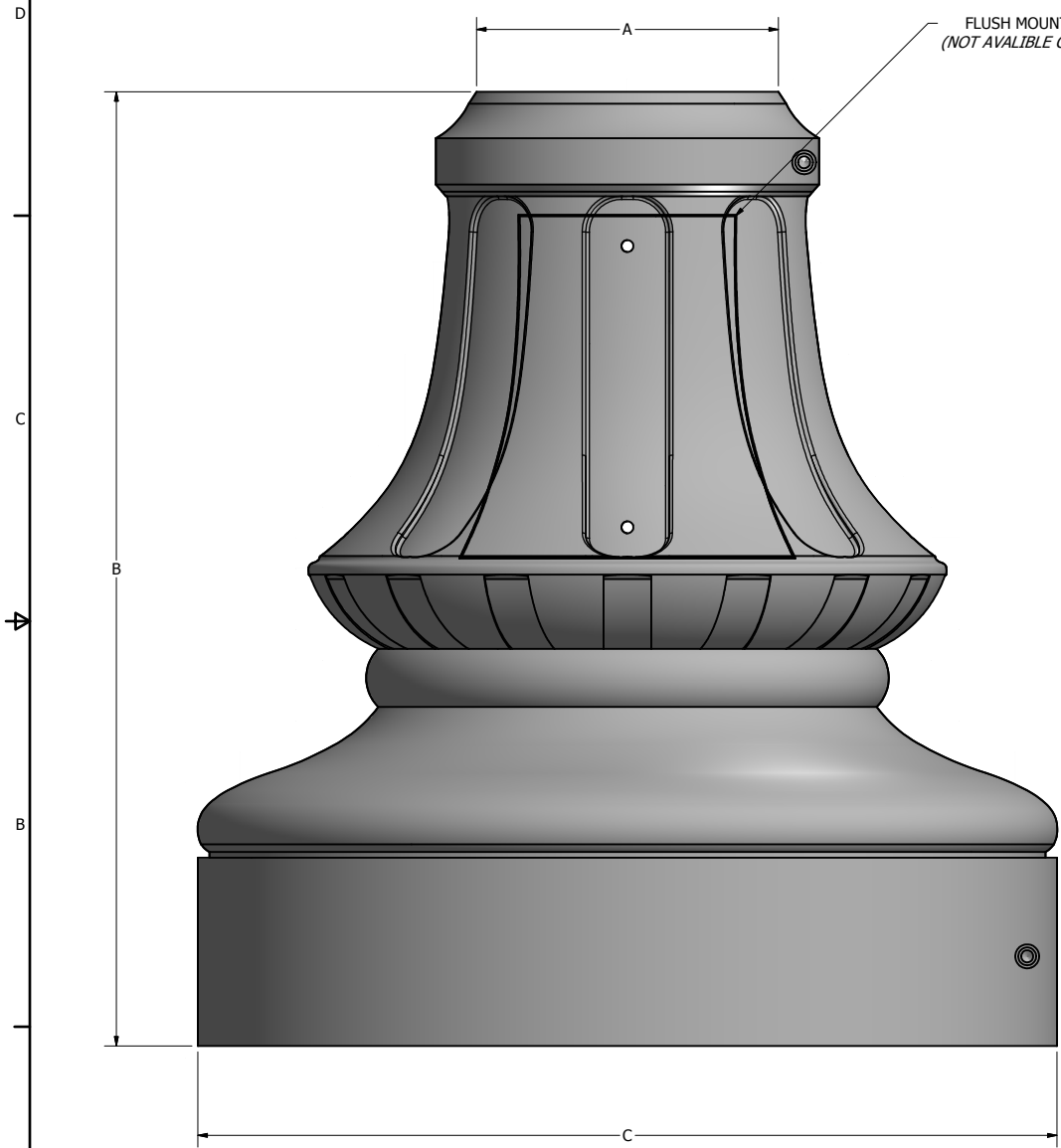


NOTE: FINISH SHALL BE A STANDARD COLOR POLYESTER POWDER COAT FINISH.

WASHINGTON ROUND SERIES			
POLE	BASE COVER		
SHAFT O.D.	A (TOP I.D.)	B (HEIGHT)	C (BOTTOM O.D.)
2.75"	3.00"	15.00"	12.00"
4.75"	5.00"	20.25"	18.00"
7.75"	8.00"	37.00"	25.00"



CLAMSHELL BASE COVER

UPBC-WASR-## ##-##RD
 BOTTOM O.D. | HEIGHT | POLE SHAFT O.D.

<p>HAND HOLE</p>	DRAWN: L. GRUNIS	12/12/2016
	CHECKED:	
	REVISION:	DATE:
	APPROVED:	
	QUOTE:	
	S.O.#	
REF:	SCALE: NONE	



23171 GROESBECK HWY
 WARREN, MI 48089
 (586) 774-5750
 www.unipostsystems.com

<small>SOME GEOGRAPHICAL AREAS HAVE SPECIAL WIND CONDITIONS THAT CAN CREATE WIND INDUCED VIBRATIONS CAUSING A FATIGUE PROBLEM. NO METHOD HAS YET BEEN FOUND FOR PREDICTING DESTRUCTIVE LIGHTING POLE VIBRATION. THESE CONDITIONS ARE UNIQUE AND CANNOT BE GUARANTEED AGAINST, AND ARE THE RESPONSIBILITY OF A LOCAL SITE ENGINEER.</small>		
TITLE: WASHINGTON ROUND BASE COVER FOR ROUND POLES		
CATALOG:		
DWG NO: UPBC-WASR-##-##-##RD	SIZE: C	SHEET 1 OF 1